



## 3-D Model Tiers by Multi-Conveyor



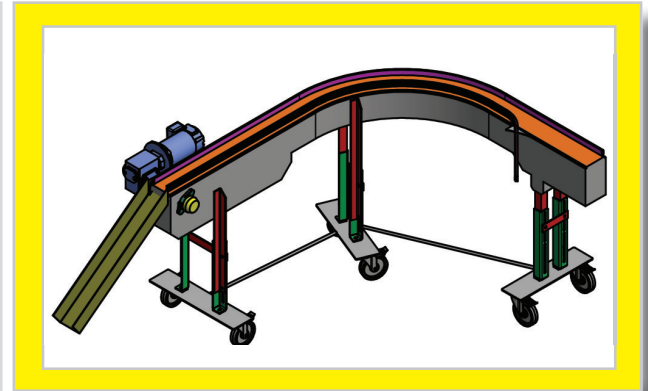
As a custom conveyor manufacturer we understand each project comes with a unique set of requirements. This sometimes extends to additional support documents in the form of 3-D C.A.D. models. Multi-Conveyor offers three tiers\* of models which are available for most conveyors builds. Our standard file format is a STEP file created from a multi-body solid. The tiers are ordered from least to most complex.

### TIER 1

This tier provides accurate infeed, outfeed, and elevations of the conveyor making them useful for layout assemblies.

Includes:

- Basic extruded cross section of conveyor and guiderails.
- Drive and bearings are located, though not fully detailed.
- Specialty features such as chutes, clamps, or pushers.

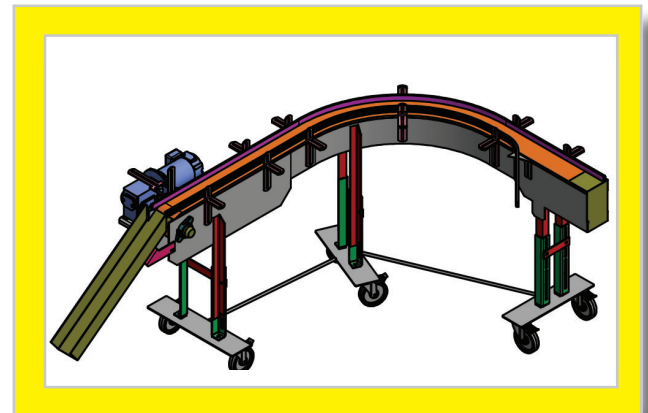


### TIER 2

This tier provides more detail for external conveyor components. The primary use case for tier 2 is an end user who is looking to interface to their own equipment, or have tight spatial constraints.

Includes:

- Conveyor frames and chain are separate extrusions.
- Guiderail brackets are located.
- Transition pieces are added.

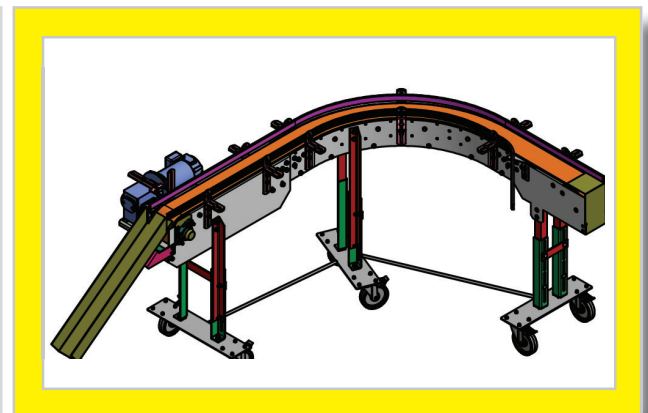


### TIER 3

This tier is for end users requiring a more complete representation of the conveyor. All components, both internal and external, are modeled.

Includes:

- Frames are independently modeled instead of continuous extrusion or sweep.
- Most internal components.
- Hardware



*\*Note: Models provided at each tier are for representation purposes, some features may not be complete.*





# Multi-Conveyor LLC

Your best...conveyed better.



## Let's get working on your next project.

Since 1989, Multi-Conveyor has been supplying standard and custom conveyors to nearly every industry. Whether your project is \$3,000 or \$3 Million, Multi-Conveyor has solutions. When you work with Multi-Conveyor, you work with a team of experts. A Project Manager is assigned to each individual customer and each job to ensure a quick response. Multi-Conveyor is committed to minimal lead times to meet our customer's required due dates.

**Here's a list of systems and devices that Multi-Conveyor builds on a regular basis:**

Accumulation Conveyors	MDR - Motor Driven Roller: Stainless, Wash Down
Alpine Accumulation Conveyors	Multi-Flex Chain Conveyors
ARB (Activated Roller Belt™) Conveyors	Package or Roll Upenders
Auto-Indexers	Package Turning Devices
Belt Conveyors: Fabric, Homogenous, Positive Drive	Pallet Forming Conveyors for Robotic Palletizers
Bi-Directional & Uni-Directional Accumulation Tables	Pneumatic Devices: Clamps, Stops, Gates, Retracts, Rails
Case Packaging / Case Load Conveyors or Stations	Pre-Engineered Standard "Quick Ship" Conveyors
Case Upenders	Product Orientation: Rotate, Turn, Flip
Chain Driven Conveyors	Product Turners
Custom Designs and Specialty Systems	Retractable Nose Conveyors
Electrical Control Panels (UL Listed)	Right-Angle Pushers and Sweeps
Electrical Control Systems and Programming	Rotary Tables: Accumulators / Unscramblers
Friction Belt Conveyors	Sanitary, Hygienic Design and Construction*
Gripper Conveyors: All Configurations	Servo and Pneumatic Diverters and Combiners
Hand-Pack Stations	Side Grip Elevators and Lowerators
High-Speed Servo Driven Divert Gate Assemblies	Single Filing Conveyors
Hydraulic Devices	Slim-Fit™ Small Transfer Conveyor Systems
Incline Conveyors	Spiral Drum Conveyors & Accumulation
Incline Product Elevators	Stackers
Indexing Conveyors	Stainless Steel Construction
Indexing Elevators and Lowerators	Starwheels
Integrated Roller Belt (ModSort) Conveyors	Steel Chain Conveyors
Lane Balancers	Success Line: Basic, Economical, General Transport
Lifts & Lift Gates	Table-Top Chain Conveyors
Mat-Top / Modular Plastic Belt Conveyors	Upenders: Helix (Twist) and Powered Arm
Metal Detection Integration	Vacuum Conveyors
Mild Steel Painted Construction	Vertical Accumulators
Modular Conveyor Systems	Wire Belt & Wire Mesh Conveyors

*\*Agency compliance determined by individual application.*

### Take the Multi-Conveyor Challenge

Even if your satisfied with your existing conveyor supplier, give us a shot. Chances are we've already conceived, designed, engineered and built a system just like the one you're looking for right now ... or, made one pretty damn close.

Phone: 1-800-236-7960

[www.multi-conveyor.com](http://www.multi-conveyor.com)

Fax: 1-920-582-7952

Multi-Conveyor LLC • P O Box 10 • 25 Windustrial Drive • Winneconne WI 54986

